



# **COMMERCIAL KITCHEN SOLUTIONS**

---

## ***Trolleys***

**Quality**  
Delivered as Promised

# PLATFORM TROLLEY

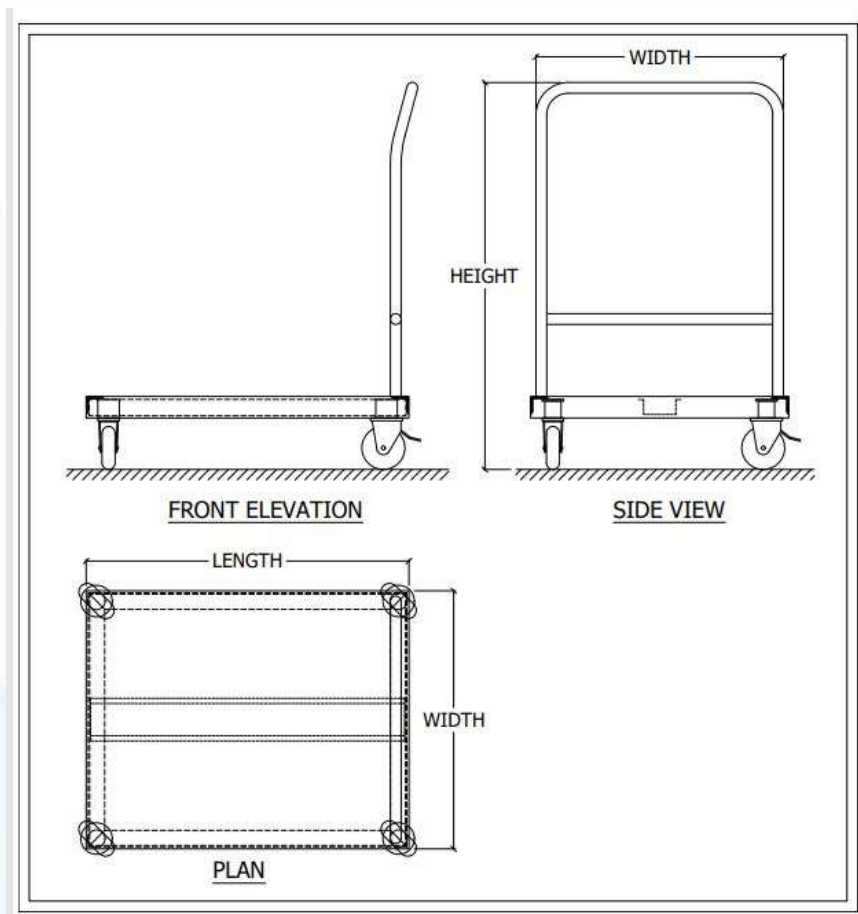
Increase the productivity of your staff with minimal effort by using a Platform Trolley designed and manufactured by STAR OPUS after intensive discussion with the users. Designed to carry heavy load with minimum effort, the platform trolley is a must for the kitchen store.



*Platform Trolley*

## PRODUCT FEATURES

- Heavy duty stainless steel construction designed for use in food and hygiene areas.
- Load Capacity 400 Kgs.
- Constructed out of 1.2mm thick SS 304 Sheets.
- 150mm Durable, Rubberized Castor Wheels.
- Elegant Handle.
- All TIG welded for exposed areas & polished to No.4 Finish.



## OPTIONAL ACCESORIES

- Guard Rails on three Sides.
- Bumper Guard.
- Ask us for Customizations of your Requirement.

# TRACK RACK TROLLEY

Wondering how to stack multiple trays/ GN pans filled with bakery or gourmet food coming out of the Combi oven or the convection oven?

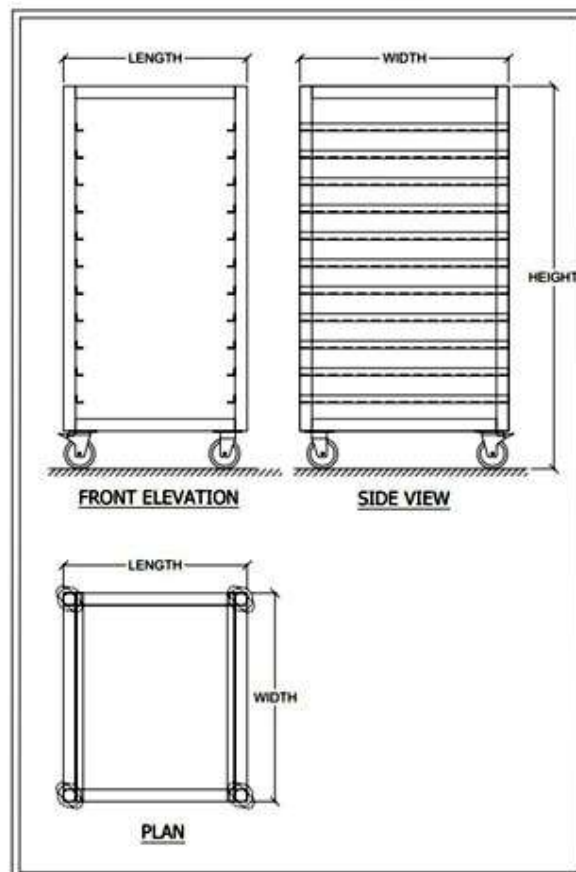
Stack the Bakery or Gastronome pans in STAR OPUS manufactured Tray rack trolley. Each trolley can hold up to 11 tray or pans in the single trolley or 22 trays in the double rack trolley. Take the trolley from the kitchen to the banquet room without the fear of trays /pans falling, we have fitted a locking arrangement to the rack trolley in the front & back.



*Track Rack Trolley*

## PRODUCT FEATURES

- Constructed out of complete Stainless Steel 304 grade for Standard model and 202 grade for Economical model.
- Top & Bottom Frame constructed out of 25mm X 25mm stainless steel square pipe.
- Legs constructed out of 25mm X 25mm Square Pipes resting on adjustable Nylon Bullet Feet to accommodate uneven flooring.
- Durable, Rubberized Castor Wheels.
- Locking Arrangement on front & back to ensure the trays & pans do not fall.
- All TIG welded for exposed areas & polished to No.4 Finish.



## OPTIONAL ACCESSORIES

- Thermal cover, Industrial high tenacity PES Fabric with polyester fibre centre layer, complete with 4 set of vertical zippers.
- Ask us for Customization of your Requirement.

# MOBILE PUSH CART

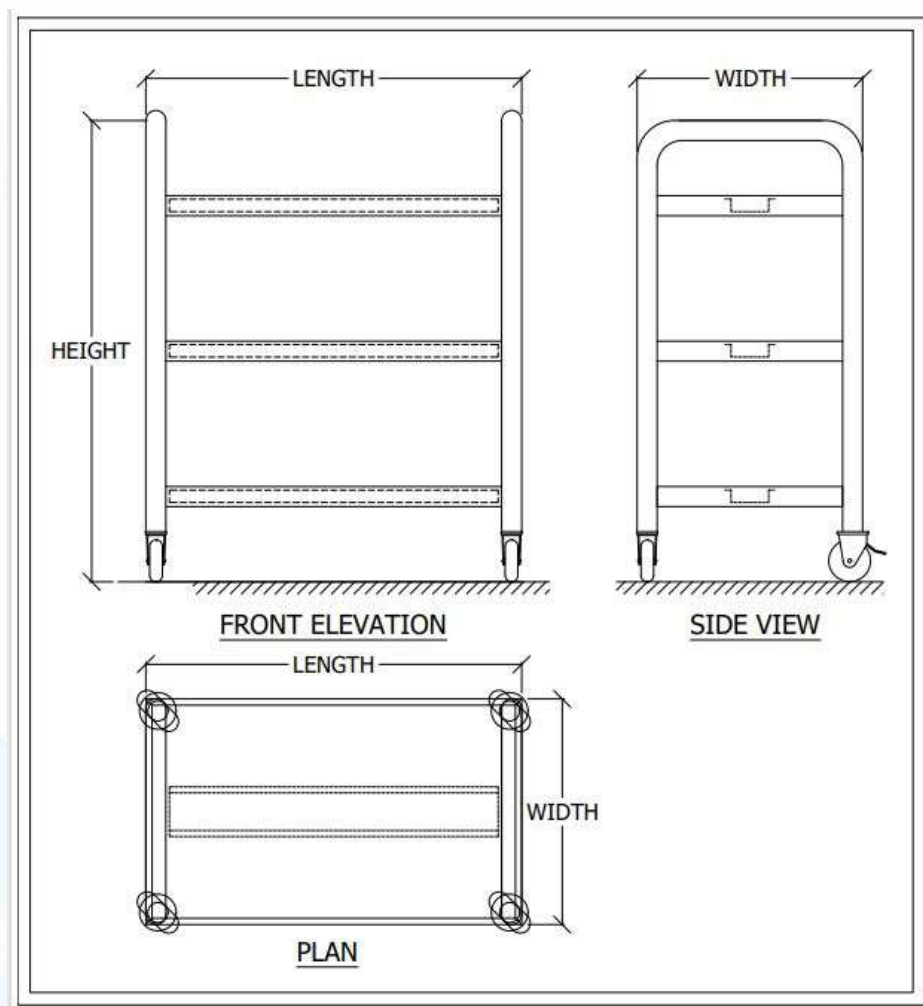
Durable and elegantly designed STAR OPUS Food or Soiled dish pickup trolley is an essential part of the kitchen operation ensuring a smooth work flow in a high traffic restaurant.



*Pick-up Trolley*

## PRODUCT FEATURES

- Constructed out of Stainless Steel 304 grade for Standard model and 202 grade for Economical model.
- Sheet thickness 1 mm.
- 25mm X 25mm Stainless Steel Square Pipes.
- Legs resting on Strong & durable rubberized Castor Wheels for easy & noiseless movement.
- All TIG welded for exposed areas & polished to No.4 Finish.



## OPTIONAL ACCESORIES

- Back /One /Two side Cladding above shelf constructed out of 1mm thick Stainless Steel Sheet.
- Strong & Durable Castor Wheels.
- Ask us for Customization of your Requirement.

## MASALA TROLLEY

It helps the Chef to find the Spices within his reach while cooking a master dish. STAR OPUS Masala trolley provides comfort to the chef in a high traffic kitchen. On strong castor wheels the Masala trolley does not require a fixed space in the kitchen.

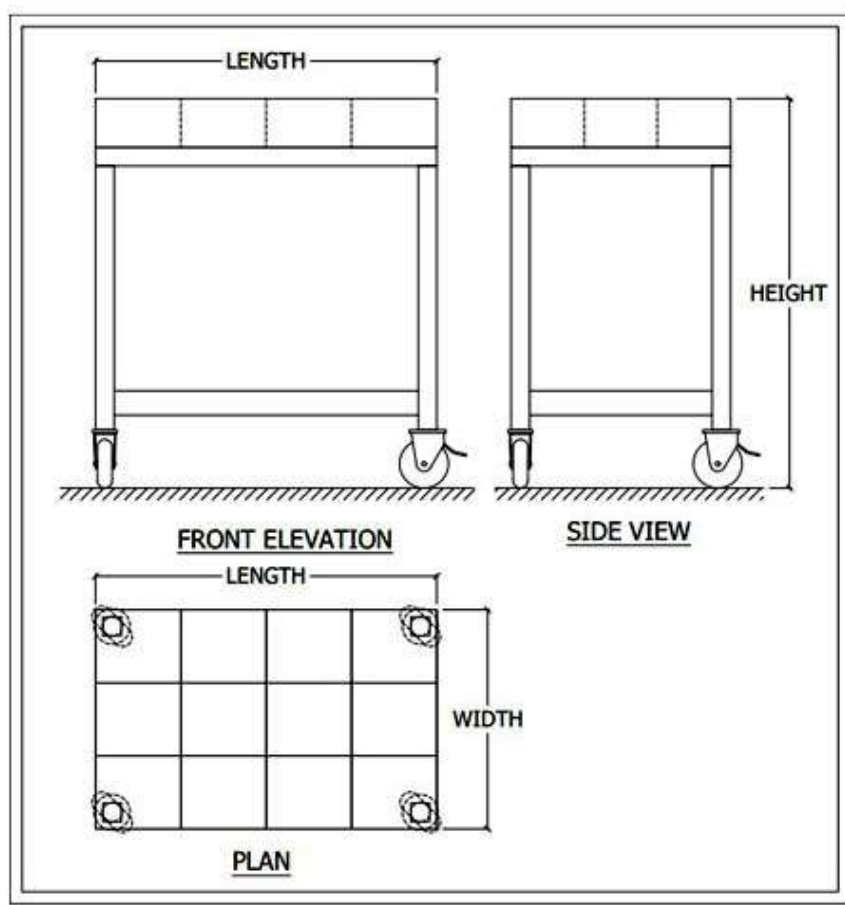


*12 divisions Masala Trolley*



## PRODUCT FEATURES

- Twelve spice boxes constructed out of food grade Stainless Steel.
- Constructed out of Stainless Steel 304 grade for Standard model and 202 grade for Economical model.
- Sheet thickness 1mm.
- 25mm X 25mm Stainless Steel Square Pipes.
- Legs resting on Strong & durable rubberized Castor Wheels for easy & noiseless movement.
- All TIG welded for exposed areas & polished to No.4 Finish.



## OPTIONAL ACCESORIES

- Back /One /Two side Cladding above shelf constructed out of 1mm thick Stainless Steel Sheet.
- Strong & Durable Castor Wheels.
- Ask us for Customization of your Requirement.



[info@opusinnovations.in](mailto:info@opusinnovations.in)



**Mumbai** - (+91) 8452840506    **Goa** - (+91) 9860555648  
**Kolkata** - (+91) 9830300238    **Raipur** - (+91) 9425208979



Unit Q1, Khan Compound, Vasai Highway,  
Pelhar, Vasai, Palghar, Mumbai (M.H.) - 401202