



**COMMERCIAL
KITCHEN SOLUTIONS**

Spreader Tables

Quality
Delivered as Promised

SPREADER TABLE

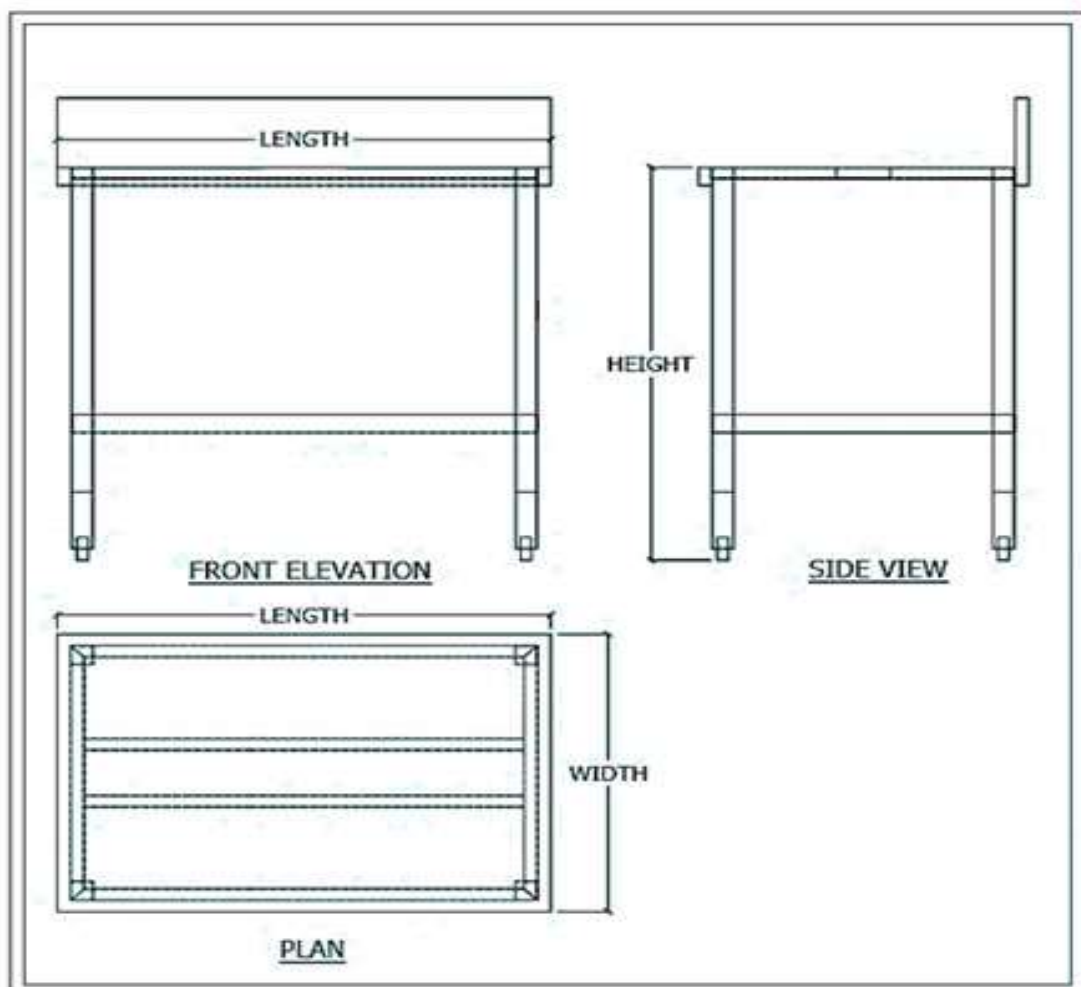
STAR OPUS range of spreader tables have been designed and manufactured after extensive discussion with chefs. Durability, aesthetic looks & hygienic factors have been the focus while designing the product for your professional kitchen.



Spreader Table

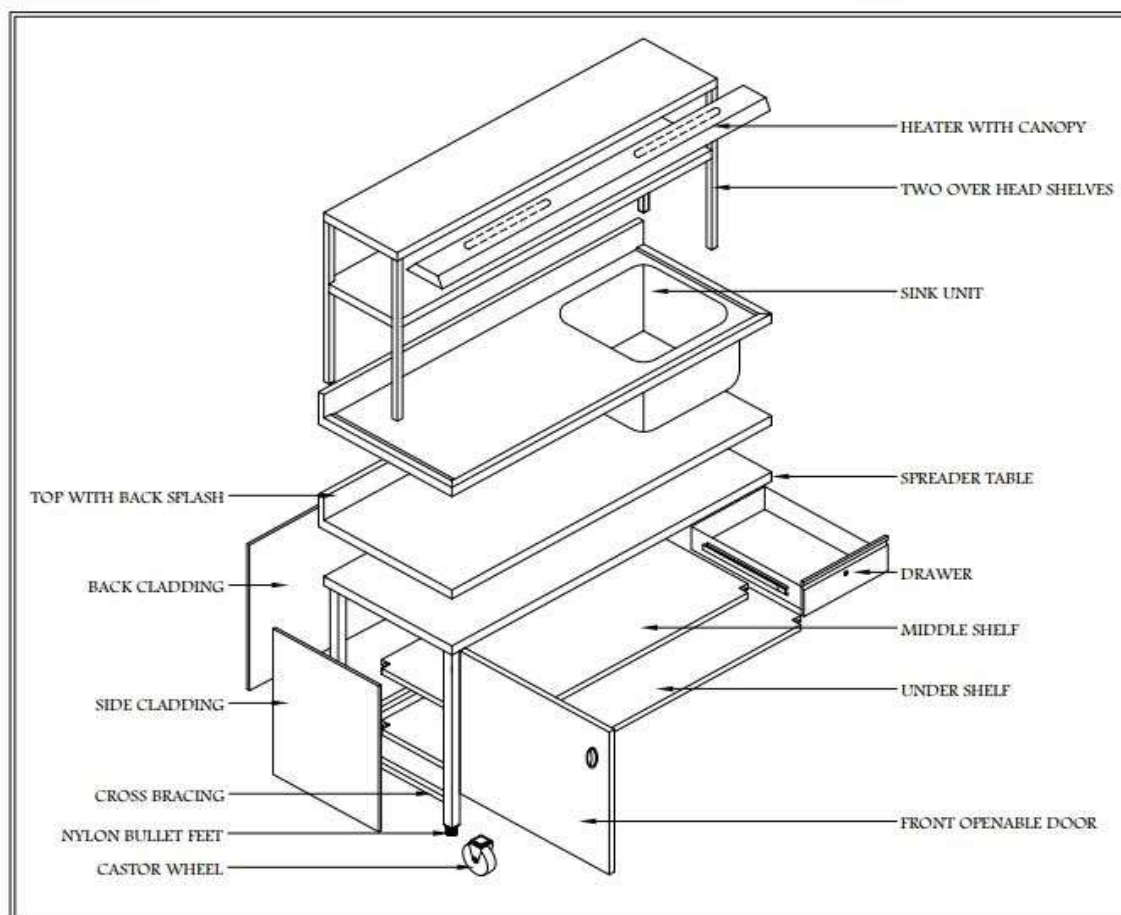
PRODUCT FEATURES

- Flat / Sunken Spreader tables available in 450/600/750 & 900 mm depth
- 304 in Standard model & 202 in Economical model, 1.2mm thick Stainless Steel Top
- Angular Frame structure constructed out of 25mm x 25mm x 3mm thick Stainless Steel Angles
- Legs constructed out of 38mm square/round Stainless Steel Pipes
- Shelves constructed out of 1mm thick Stainless Steel sheet
- Legs resting on adjustable Nylon Bullet Feet
- Cross Bracing constructed out of 25mm square/round Stainless Steel Pipes
- All TIG welded for exposed areas & polished to No.4 Finish



OPTIONAL ACCESORIES

- Back Splash/ One Side/ Two Side
- Overhead Shelves constructed out of 1mm Thick Stainless Steel Sheet & 25mm Square/ Round Pipe
- Running Heaters for Overhead Shelf
- Back/ One/ Two Side Cladding constructed out of 1mm Thick Stainless Steel sheet
- Front Doors operable/sliding constructed out of 1mm thick Stainless Steel Sheet
- Sink Unit constructed out of 1.2mm thick SS 304 Stainless Steel Sheet
- Drawers constructed out of 1mm Stainless Steel Sheet on heavy duty telescopic channels
- Strong & Durable Castor Wheels
- Ask us for Customisation of your Requirement





info@opusinnovations.in



Mumbai - (+91) 8452840506 Goa - (+91) 9860555648
Kolkata - (+91) 9830300238 Raipur - (+91) 9425208979



Unit Q1, Khan Compound, Vasai Highway,
Pelhar, Vasai, Palghar, Mumbai (M.H.) - 401202